

COMPRESSED CYLINDER SERVICES

Customer Service
 T: (800) 610-4571
 F: (800) 610-4571
 sales@compcylserv.com
 www.compcylserv.com



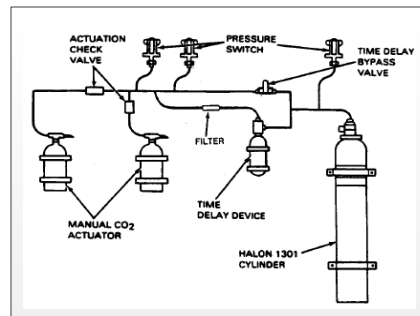
Deployment Now? 24/7 Dial X119



Gas Pains?
 CLICK HERE

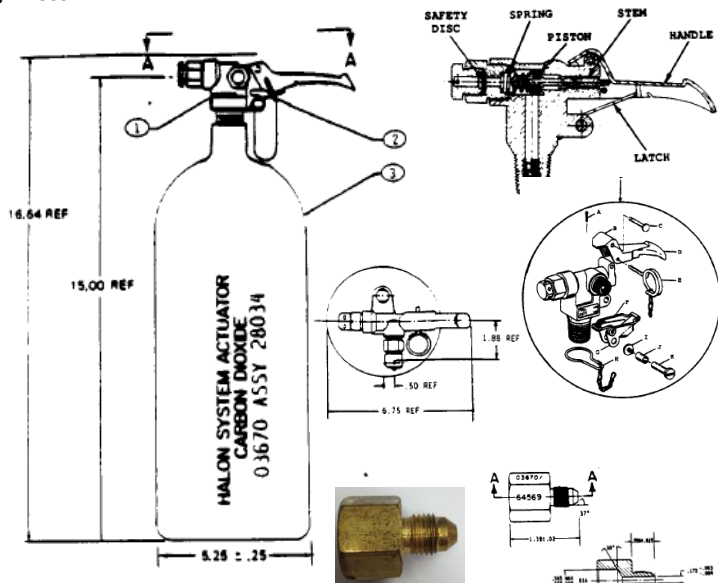
Ansul® CO2 Actuator (Class I) Fixed Carbon Dioxide Flooding Systems

MIL-E-24572B(SH) Extinguisher Fire, Bromotrifluoromethane (Halon 1301)
 System Components (Fixed Pipe, Pneumatically Actuated, , Naval Shipboard Use)
 S9555-A6-MMA-010/ HALON 1301 REV.2
 PMS Damage Control MIP 5553/001 S-2

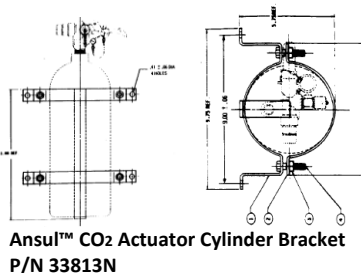


Shipboard System

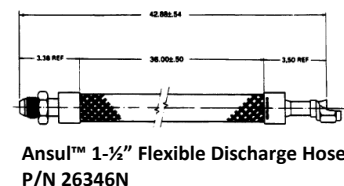
Ansul™ 5LB CO2 Actuator Cylinder
 P/N 28034N



1/4" Flare Fitting Actuator Coupler
 P/N 28037N



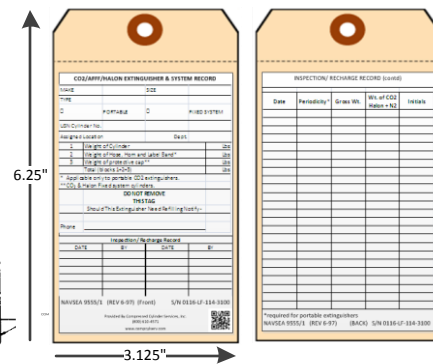
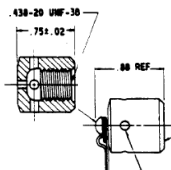
Ansul™ CO2 Actuator Cylinder Bracket
 P/N 33813N



Ansul™ 1-1/2" Flexible Discharge Hose
 P/N 26346N



1/4" Valve Actuator Protection Cap
 P/N 33661



Cylinder Record Tags
 P/N 0116-LF-11-3100

Part Number	National Stock Number	Description
28034N	4210-01-038-8883	Ansul™ 5LB CO2 Manual Actuator Class 1 Magnetic
28037N	4820-01-122-3631	Ansul™ CO2 Actuator 1/4" Flare Coupler
33813N	4210-01-153-8445	Ansul™ Carbon Dioxide Actuator Cylinder Bracket
26346N	4210-01-041-3071	Ansul™ 1-1/2" Flexible Discharge Hose
64569N	4210-01-199-3121	Coupler: 1/4" 37° Flare Fitting
0116-LF-114-3100	0116-LF-114-3100	Cylinder Record Tags IAW NAVSEA 9555/1 CO2/ AFFF/ Halon Extinguisher & System Record Tag 100PK
33661		Ansul™ 1/4" Valve Actuator Protection Cap Brass Alloy No 360 QQ-B-626 & Safety Chain Type 1/0 10 Links Brass w/ Cadmium Plate & Iridite Finish
CO2-5LBA		5LB Carbon Dioxide Actuator Fill
HST-3AA		5-Year DOT Cylinder Hydrostatic Test/ Periodicity: 5-Years Fill Required/ 12-Years Full; Ref (a) M-2R, S-3
OVERHAUL-A		Ansul™ Actuator Valve Overhaul
BLAST-E		External Cylinder Blast
CYL-PAINT		Actuator Paint & Stencil
STAMP-A		Actuator Valve (Re)Stamp: Weight LB & OZ; Ref (a) S-3



National Shipments: FedEx Express

Deployment? Inspection? INSURV? We have partnered with FedEx Express and obtained our HAZMAT & IATA certification to ship cylinders from coast-to-coast in less than 24 hours. Shipping & handling charges apply and are based on a case-by-case basis.



International Shipments: DHL Worldwide

Logistics issues abroad? We have Partnered with DHL Worldwide to ship cylinders around the globe. Logistics, shipping & handling charges apply and are based on a case-by-case basis.